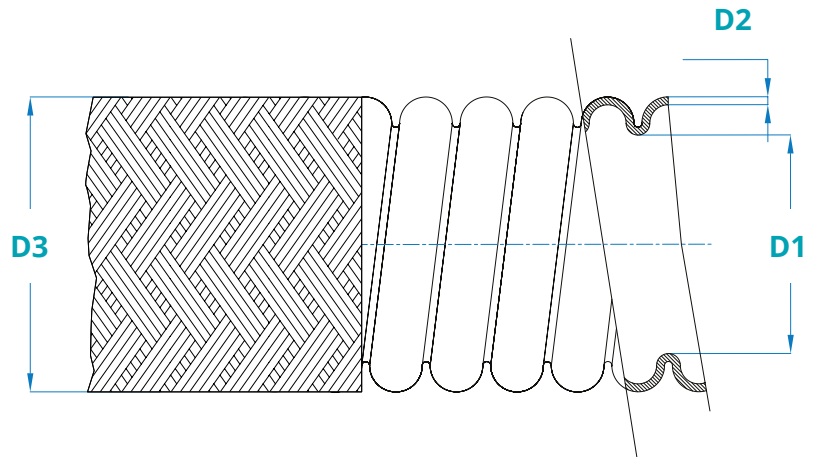


Heavy wall extruded Convoluted hose with SS Braid used extensively through the process industry due to the self cleaning nature of the design of the hose through to the unique way the hose can be Lined through the fittings to make a completely bug free environment for applications where cleanliness is paramount. This also protects the fittings against corrosion in applications transferring aggressive media.



PROPERTIES

APPLICATION	Used globally in applications that require the up most cleanliness and with its heavier wall it is more suited to the arduous applications found in the process plant industry. When the application is higher pressure then SS Braid would be ideal.		
DESIGN	Medium wall convoluted Lantech tube with SS 304 Braid		
INNER LAYER	Helically convoluted medium wall Lantech tube		
OUTER LAYER	SS 304 Braid		
TEMP MIN	-60°C	TEMP MAX	+260°C
MATERIAL	Lantech according to "ISO12086, Part1. Lantech-E.P.D.M 1.61.C.E.4_12"		

Part No Natural	Part No Antistatic	Size	D1 ID Nominal (mm)	D2 Wall Thickness (mm)	D3 OD Nominal (mm)	Minimum Bend Radius (mm)	MWP (Bar)	BP (Bar) 20°C	Vacuum (mBar)
TCMSS006	TCAMSS006	1/2"	7.00	0.76	12.68	18	35	170	744
TCMSS010	TCAMSS010	3/8"	9.65	0.67	15.95	25	35	170	744
TCMSS012	TCAMSS012	1/2"	13.08	0.89	18.90	40	50	250	887
TCMSS016	TCAMSS016	5/8"	16.00	0.89	22.85	50	35	170	887
TCMSS020	TCAMSS020	3/4"	19.00	1.00	27.40	60	60	290	887
TCMSS025	TCAMSS025	1"	25.40	1.20	36.00	80	40	210	887
TCMSS032	TCAMSS032	1.25"	31.00	1.20	42.00	100	45	210	887
TCMSS040	TCAMSS040	1.5"	35.50	1.60	46.00	120	40	175	887
TCMSS045	TCAMSS045	1.75"	44.00	1.60	56.00	135	25	135	887
TCMSS050	TCAMSS050	2"	47.50	1.60	59.50	165	25	135	887
TCMSS065	TCAMSS065	2.5"	60.25	1.60	77.25	230	14	60	887
TCMSS080	TCAMSS080	3"	74.00	1.60	93.00	260	12	65	887
TCMSS100	TCAMSS100	4"	98.00	1.82	122.30	300	10	40	887
TCMSS150	TCAMSS150	6"	152.00	2.50	182.00	520	6	24	455