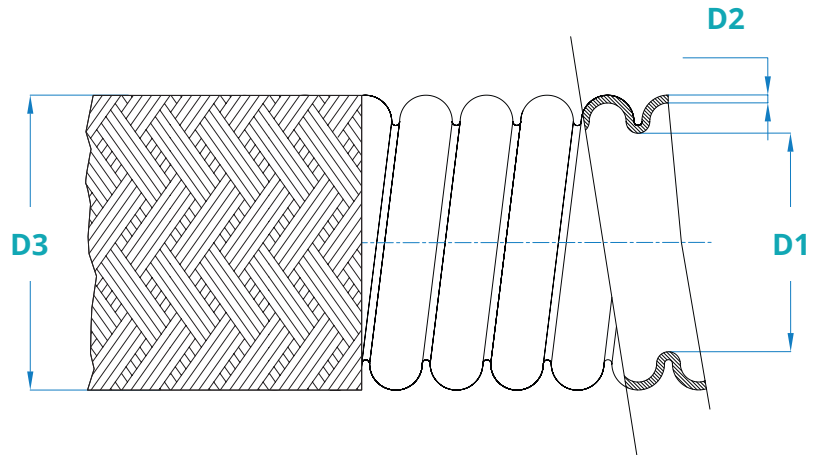


SERIES **HC** is a **Heavy wall extruded Convoluted** hose used extensively throughout the process industry. It's self cleaning design and unique way the hose can be lined through the fittings make a completely bug free environment for applications where cleanliness is paramount. Also, protects fittings against corrosion in applications transferring aggressive medias.

SERIES **HC - PB**, used globally in applications that require the up most cleanliness and with its heavier wall it is more suited to the arduous applications found in the process plant industry. Polypropylene Braid is ideal for when the application requires low pressure and or a lighter weight hose or if the media being transferred is not compatible with SS 304 / 316 braid.



PROPERTIES

APPLICATION	Used globally in applications that require the up most cleanliness and with its heavier wall it is more suited to the arduous applications found in the process plant industry. Polypropylene Braid is ideal for when the application requires low pressure and or a lighter weight hose or if the media being transferred is not compatible with SS 304 / 316 braid.		
DESIGN	Heavy wall convoluted PTFE tube with Polypropylene braid – BLUE, YELLOW, WHITE		
INNER LAYER	Natural (GP) or Anti-static (AS) helically convoluted heavy wall PTFE tube		
OUTER LAYER	Polypropylene braid – BLUE, WHITE, YELLOW		
TEMP MIN	-60°C	TEMP MAX	+90°C
MATERIAL	PTFE according to 'ASTM D4895, TYPE 1, GRADE 4, CLASS B' & 'ASTM D4895, TYPE 1, GRADE 3, CLASS B'		

Part No Natural	Part No Antistatic	Size	D1 ID Nominal (mm)	D2 Wall Thickness (mm)	D3 OD Nominal (mm)	Minimum Bend Radius (mm)	MWP (Bar)	BP (Bar)	Vacuum (mBar)
PFHC12-GP-KB	PFHC12-AS-KB	1/2"	13.08	0.89	21.90	40	10	40	887
PFHC16-GP-KB	PFHC16-AS-KB	5/8"	16.00	0.89	25.85	50	10	40	887
PFHC20-GP-KB	PFHC20-AS-KB	3/4"	19.00	1.00	30.40	60	10	40	887
PFHC25-GP-KB	PFHC25-AS-KB	1"	25.40	1.20	40.00	80	10	40	887
PFHC32-GP-KB	PFHC32-AS-KB	1.25"	31.00	1.20	46.00	100	10	40	887
PFHC40-GP-KB	PFHC40-AS-KB	1.5"	35.50	1.60	50.00	120	10	40	887
PFHC45-GP-KB	PFHC45-AS-KB	1.75"	44.00	1.60	61.00	135	10	40	887
PFHC50-GP-KB	PFHC50-AS-KB	2"	47.50	1.60	65.50	165	10	40	887
PFHC50-GP-KB	PFHC65-AS-KB	2.5"	60.25	1.60	87.25	230	10	40	887
PFHC80-GP-KB	PFHC80-AS-KB	3"	74.00	1.60	99.00	260	7	28	887
PFHC100-GP-KB	PFHC100-AS-KB	4"	98.00	1.82	133.30	300	6	24	887