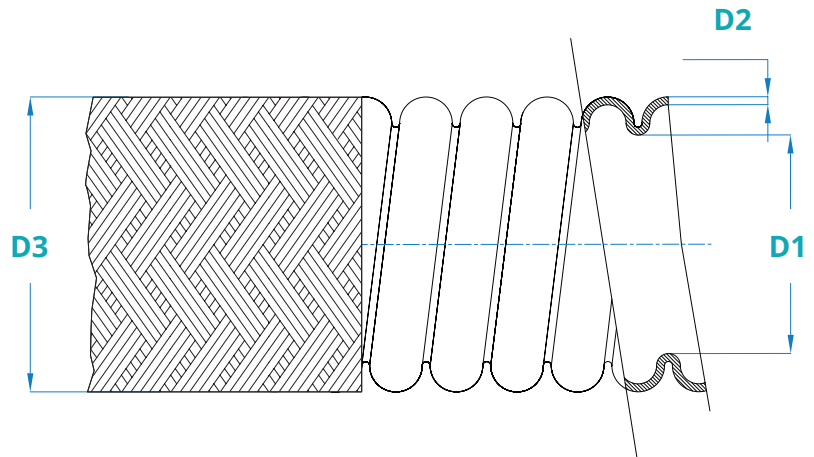


SERIES **HC** is a **Heavy wall extruded Convoluted** hose used extensively throughout the process industry. It's self cleaning design and unique way the hose can be lined through the fittings make a completely bug free environment for applications where cleanliness is paramount. Also, protects fittings against corrosion in applications transferring aggressive medias.

SERIES **HC – SS**, used globally in applications that require the up most cleanliness and with its heavier wall it is more suited to the arduous applications found in the process plant industry. When the application is of higher pressure then a Stainless Steel Braid would be required.



## PROPERTIES

<b>APPLICATION</b>	Used globally in applications that require the up most cleanliness and with its heavier wall it is more suited to the arduous applications found in the process plant industry. When the application is of higher pressure then a Stainless Steel Braid would be required.		
<b>DESIGN</b>	Heavy wall convoluted PTFE tube with SS 304 / 316 braid		
<b>INNER LAYER</b>	Natural (GP) or Anti-static (AS) helically convoluted heavy wall PTFE tube		
<b>OUTER LAYER</b>	SS 304 / 316 braid (34 = Stainless Steel 304 Grade / 36 = Stainless Steel 316 Grade)		
<b>TEMP MIN</b>	-60°C	<b>TEMP MAX</b>	+260°C
<b>MATERIAL</b>	PTFE according to 'ASTM D4895, TYPE 1, GRADE 4, CLASS B' & 'ASTM D4895, TYPE 1, GRADE 3, CLASS B'		

Natural (GP) Part No.	Antistatic (AS) Part No.	Size	ID Nominal (mm)	OD Nominal (mm)	Wall Thickness (mm)	Minimum Bend Radius (mm)	MWP (Bar)	BP (Bar)	Vacuum (mBar)
PFHC06-GP-SS-34	PFHC06-AS-SS-34	1/4"	7.00	12.68	0.76	18	60	180	744
PFHC10-GP-SS-34	PFHC10-AS-SS-34	3/8"	9.65	15.95	0.76	25	50	150	744
PFHC12-GP-SS-34	PFHC12-AS-SS-34	1/2"	13.08	18.9	0.89	40	45	135	887
PFHC16-GP-SS-34	PFHC16-AS-SS-34	5/8"	16.00	22.85	0.89	50	40	120	887
PFHC20-GP-SS-34	PFHC20-AS-SS-34	3/4"	19.00	27.4	1.00	60	40	120	887
PFHC25-GP-SS-34	PFHC25-AS-SS-34	1"	25.40	36	1.20	80	35	105	887
PFHC32-GP-SS-34	PFHC32-AS-SS-34	1.25"	31.00	42	1.20	100	35	105	887
PFHC40-GP-SS-34	PFHC40-AS-SS-34	1.5"	35.50	46	1.60	120	35	105	887
PFHC45-GP-SS-34	PFHC45-AS-SS-34	1.75"	44.00	56	1.60	135	25	75	887
PFHC50-GP-SS-34	PFHC50-AS-SS-34	2"	47.50	59.5	1.60	165	25	75	887
PFHC65-GP-SS-34	PFHC65-AS-SS-34	2.5"	60.25	77.25	1.60	230	14	42	887
PFHC80-GP-SS-34	PFHC80-AS-SS-34	3"	74.00	93	1.60	260	12	36	887
PFHC100-GP-SS-34	PFHC100-AS-SS-34	4"	98.00	122.3	1.82	300	10	30	887
PFHC150-GP-SS-34	PFHC150-AS-SS-34	6"	152.00	182	2.50	520	6	18	455