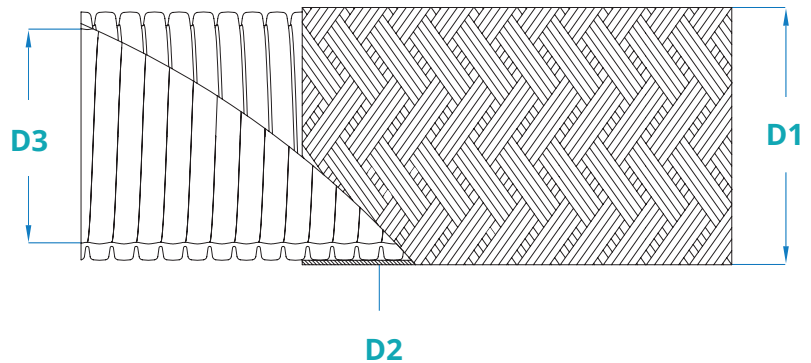


SERIES **SC** is a super flexible, **Smoothbore Convoluted PTFE** hose. When space and flexibility are an issue but a smoothbore is a must for an uninterrupted flow and ease of cleaning, it is the ultimate problem solver.

Available with FDA approved Natural (GP) or Anti-static (AS) PTFE tubes. PTFE lined 'Flared/ Tafted' fittings to improve cleanliness, remove bug traps and improve the ability to clean in place. SERIES **SC** can be supplied with a Stainless steel 304 / 316, or Polypropylene braid, EPDM & Silicone rubber covers.



## PROPERTIES

<b>APPLICATION</b>	Used globally in applications that require the up most cleanliness and with its Smoothbore Convoluted liner and heavier wall it is more suited to the arduous applications found in the process plant industries – Pharmaceutical, Bio-pharm, Chemical, Food & Beverage & Clean environments.		
<b>DESIGN</b>	Smoothbore Convoluted PTFE tube with Stainless Steel 304 / 316 braid		
<b>INNER LAYER</b>	Natural (GP) or Anti-static (AS) smoothbore convoluted PTFE tube		
<b>OUTER LAYER</b>	SS 304 / 316 braid (34 = Stainless Steel 304 Grade / 36 = Stainless Steel 316 Grade)		
<b>TEMP MIN</b>	-60°C	<b>TEMP MAX</b>	+260°C
<b>MATERIAL</b>	PTFE according to 'ASTM D4895, TYPE 1, GRADE 4, CLASS B' & 'ASTM D4895, TYPE 1, GRADE 3, CLASS B'		

Natural (GP) Part No.	Antistatic (AS) Part No.	Size	ID Nominal (mm)	OD Nominal (mm)	Wall Thickness (mm)	Minimum Bend Radius (mm)	MWP (Bar)	BP (Bar)
PFSC12-GP-SS-34	PFSC12-AS-SS-34	1/2"	13.40	18.00	1.60	38	60	300
PFSC20-GP-SS-34	PFSC20-AS-SS-34	3/4"	19.50	24.00	1.80	50	60	240
PFSC22-GP-SS-34	PFSC22-AS-SS-34	7/8"	21.00	27.00	2.10	55	55	220
PFSC25-GP-SS-34	PFSC25-AS-SS-34	1.00"	25.50	31.00	2.20	70	50	200
PFSC32-GP-SS-34	PFSC32-AS-SS-34	1.25"	31.80	39.30	2.65	100	45	180
PFSC40-GP-SS-34	PFSC40-AS-SS-34	1.50"	38.80	45.80	3.00	140	40	160
PFSC50-GP-SS-34	PFSC50-AS-SS-34	2.00"	51.00	58.20	4.00	200	30	120